

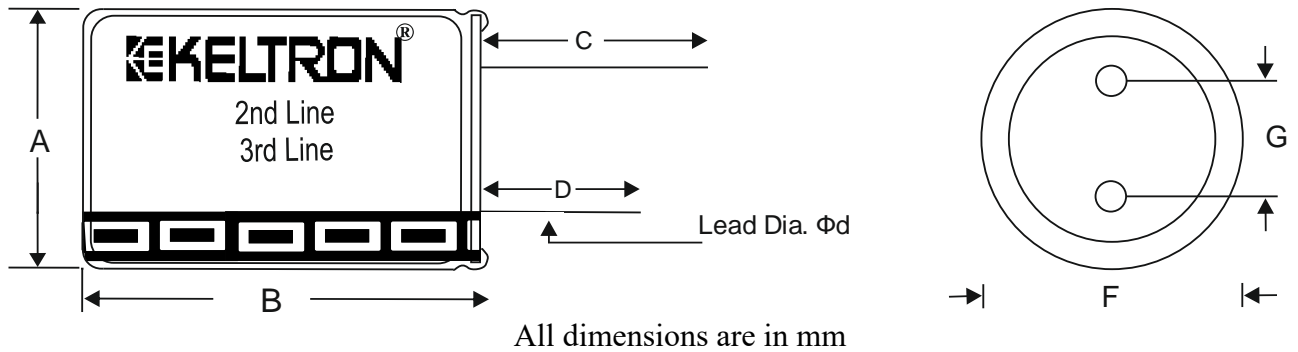
TECHNICAL DATA SHEET

Rating	: 15F/2.7V
Series	: EA
Size	: Dia : $\Phi 12.5\text{mm} \pm 0.5\text{mm}$: Length : $25\text{mm} \pm 1\text{mm}$
Capacitance	: 15F -20% to +30%
Rated voltage	: 2.7VDC
Leakage Current@72hrs	: 50 μ A max.
ESR max. @DC	: 40 m Ω
Temp category	: -40°C to +55°C
Keltron part number	: EA150CQDKRBG
Endurance category	: +55°C /1000Hrs

A. LIFE TEST SUMMARY

Tests	Life cycle	High temperature load life	Storage temperature characteristics	Vibration resistance	Humidity
Test condition Parameters	Capacitors are cycled between rated voltage and half rated voltage under constant current at +30°C for 300000 cycles	Temperature: +55°C Voltage: Rated voltage Test duration: 1000hrs	Storage duration :2years No load temperature: +35°C	Amplitude :1.5mm Frequency: 10-55Hz Direction: x,y,z for 2 hrs each	Voltage: Rated voltage RH: 90% Temperature: +50°C Test duration: 1000hrs
Capacitance	$\leq 30\%$ of initial measured value	$\leq 30\%$ of initial measured value	$\leq 30\%$ of initial measured value	$\leq 30\%$ of initial measured value	$\leq 30\%$ of initial measured value
ESR	$\leq 200\%$ of initial measured value	$\leq 200\%$ of initial measured value	$\leq 200\%$ of initial measured value	$\leq 200\%$ of initial measured value	$\leq 200\%$ of initial measured value
Appearance	No remarkable defects	No remarkable defects	No remarkable defects	No remarkable defects	No remarkable defects

B. PHYSICAL OUTLINE & PRINTING DETAILS



Diameter (A)	:12.5±0.5mm	Cathode length C	:21±3mm	Outer Diameter F	:12.5±0.5mm
Length (B)	:25±1mm	Anode Length D	:27±3mm	Pitch G	:5±0.5mm
Lead Dia Φd	:0.6±0.05mm				
1st line	: KELTRON	2nd line	:15F EA	3rd line	: 2.7V XX

* XX indicates date code