

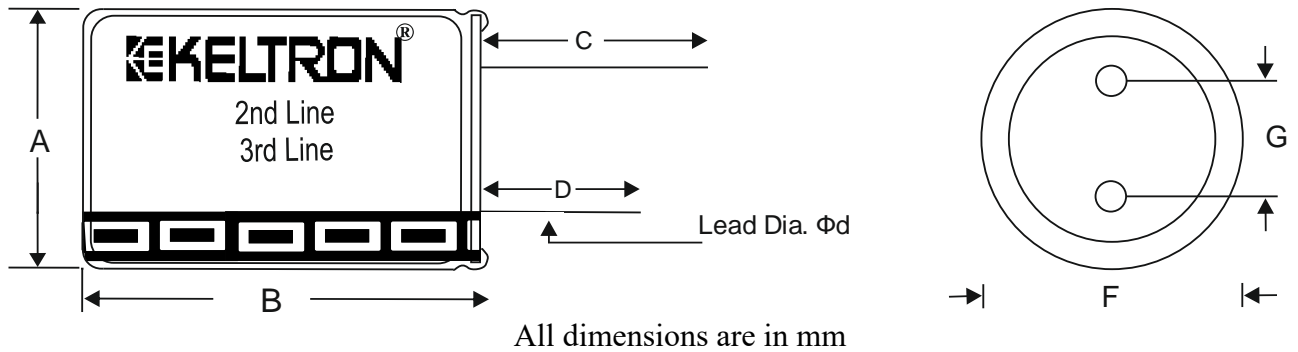
**TECHNICAL DATA SHEET**

Rating	: 18F/2.7V
Series	: EA
Size	: Dia : $\Phi$ 16mm $\pm$ 0.5mm
	: Length : 25mm $\pm$ 1mm
Capacitance	: 18F -20% to +30%
Rated voltage	: 2.7VDC
Leakage Current@72hrs	: 60 $\mu$ A max.
ESR max. @DC	: 40 m $\Omega$
Temp category	: -40°C to +55°C
Keltron part number	: EA180CQEKRBG
Endurance category	: +55°C /1000Hrs

**A. LIFE TEST SUMMARY**

Tests	Life cycle	High temperature load life	Storage temperature characteristics	Vibration resistance	Humidity
Test condition Parameters	Capacitors are cycled between rated voltage and half rated voltage under constant current at +30°C for 300000 cycles	Temperature: +55°C Voltage: Rated voltage Test duration: 1000hrs	Storage duration :2years No load temperature: +35°C	Amplitude :1.5mm Frequency: 10-55Hz Direction: x,y,z for 2 hrs each	Voltage: Rated voltage RH: 90% Temperature: +50°C Test duration: 1000hrs
Capacitance	$\leq$ 30% of initial measured value	$\leq$ 30% of initial measured value	$\leq$ 30% of initial measured value	$\leq$ 30% of initial measured value	$\leq$ 30% of initial measured value
ESR	$\leq$ 200% of initial measured value	$\leq$ 200% of initial measured value	$\leq$ 200% of initial measured value	$\leq$ 200% of initial measured value	$\leq$ 200% of initial measured value
Appearance	No remarkable defects	No remarkable defects	No remarkable defects	No remarkable defects	No remarkable defects

**B. PHYSICAL OUTLINE & PRINTING DETAILS**



Diameter (A)	:16±0.5mm	Cathode length C	:21±3mm	Outer Diameter F	:16±0.5mm
Length (B)	:25±1mm	Anode Length D	:27±3mm	Pitch G	:7.5±0.5mm
Lead Dia Φd	:0.8±0.05mm				
1st line	: KELTRON	2nd line	:18F EA	3rd line	: 2.7V XX

\* XX indicates date code