

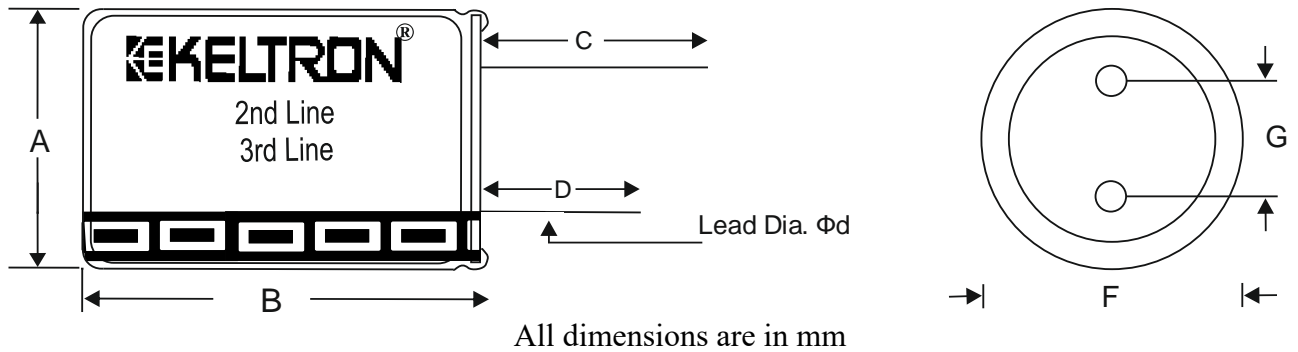
**TECHNICAL DATA SHEET**

Rating	: 3.3F/2.7V
Series	: EA
Size	: Dia : $\Phi 10\text{mm} \pm 0.5\text{mm}$ : Length : $21\text{mm} \pm 1\text{mm}$
Capacitance	: 3.3F -20% to +30%
Rated voltage	: 2.7VDC
Leakage Current@72hrs	: 12 $\mu$ A max.
ESR max. @DC	: 210 m $\Omega$
Temp category	: -40°C to +55°C
Keltron part number	: EA3R3CQCGRBG
Endurance category	: +55°C /1000Hrs

**A. LIFE TEST SUMMARY**

Tests	Life cycle	High temperature load life	Storage temperature characteristics	Vibration resistance	Humidity
Test condition Parameters	Capacitors are cycled between rated voltage and half rated voltage under constant current at +30°C for 300000 cycles	Temperature: +55°C Voltage: Rated voltage Test duration: 1000hrs	Storage duration :2years No load temperature: +35°C	Amplitude :1.5mm Frequency: 10-55Hz Direction: x,y,z for 2 hrs each	Voltage: Rated voltage RH: 90% Temperature: +60°C Test duration: 1000hrs
Capacitance	$\leq 30\%$ of initial measured value	$\leq 30\%$ of initial measured value	$\leq 30\%$ of initial measured value	$\leq 30\%$ of initial measured value	$\leq 30\%$ of initial measured value
ESR	$\leq 200\%$ of initial measured value	$\leq 200\%$ of initial measured value	$\leq 200\%$ of initial measured value	$\leq 200\%$ of initial measured value	$\leq 200\%$ of initial measured value
Appearance	No remarkable defects	No remarkable defects	No remarkable defects	No remarkable defects	No remarkable defects

**B. PHYSICAL OUTLINE & PRINTING DETAILS**



Diameter (A)	:10±0.5mm	Cathode length C	:21±3mm	Outer Diameter F	:10±0.5mm
Length (B)	:21±1mm	Anode Length D	:27±3mm	Pitch G	:5±0.5mm
Lead Dia Φd	:0.6±0.05mm				
1st line	: KELTRON	2nd line	:3.3F EA	3rd line	: 2.7V XX*

\* XX indicates date code